



Model: WS NC FOR IPAD7 AND AIR3 WITHOUT AUDIO GRILLS

Model No.: 002-1-614-NG

Family: WALL-SMART

DWG NO. 002-4-614-NG-SPC

PRODUCT SPEC.

REVISION A

DATE 1/DEC./2019



**Make Your Wall Smart**

**“WS NC FOR IPAD7 AND AIR3 Without grills” - Product description:**

The “WS NC FOR IPAD7 AND AIR3 Without grills” is an adapter for in-wall flush installation of iPad7 or iPad Air 3rd gen.

The “WS NC FOR IPAD7 AND AIR3 Without grills” firmly mounts the iPad while allowing easy insertion, removal and operation.

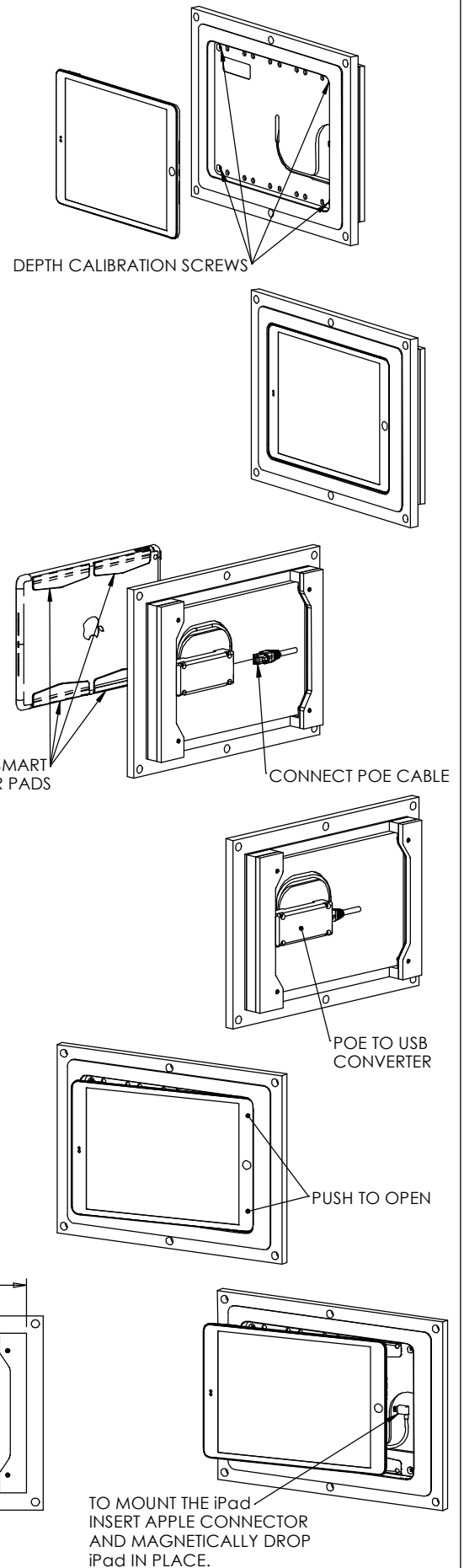
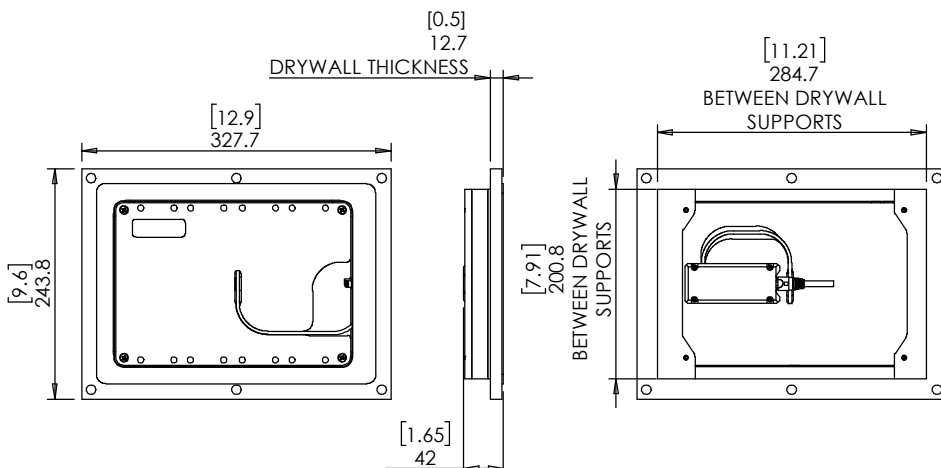
**Key features and benefits:**

- iPad nearly flush with the wall (recessed 1mm).
- Wall mount may be mounted in any orientation.
- The iPad home button remains accessible.
- The wall mount contains depth calibration mechanism allowing to adjust the depth of the iPad (**keep iPad recessed 1mm of the front surface to protect the Lightning connector!**)
- Paintable with the wall paint in any color and texture.
- Allows easy insertion and removal of the iPad.
- The adapter is supplied unpainted (To be painted after installation as part of the wall).
- Designed to be installed in ½” drywall. Installation of the Wall-Smart adapter is straight-forward. Installation process is similar to drywall construction procedures.
- For installation in concrete/block wall use “WS CONCRETE ADAPTOR 330X246” P/N 10-01-619 (sold separately) according installation instruction 10-04-00103-INS in <http://www.wall-smart.com/faq>
- Designed for the use with iPad Air 3rd gen (by Apple) (iPad is not included).
- Adapter kit contains:
  1. (X1) Wall adapter;
  2. (X4) Wall-Smart rubber pads;
  3. (X1) Wall-Smart Pad Positioning Template

**Key properties:**

- Dimensions: (W/H/D): 327.7mm (12.9”)/ 243.8mm (9.6”)/ 42mm (1.65”)
- Power Supply: Wall mount includes POE to USB converter. The installer should connect the wall mount to an IEEE 802.3at POE+ power source via CAT6 cable and RJ45 connector. (Please verify the power source can supply 25.5W)
- Weight: 1.1Kg, 2.42lbs.
- Material: Moisture resistant MDF (compliant with TSCA Title VI)
- To be installed in ½” drywall (for installation in 5/8” drywall use 1/8” shim pack P/N 10-01-067 (sold separately)).

iPad® is a trademark of Apple Inc., registered in the U.S. and other countries.





Model: WS NC FOR IPAD7 AND AIR3  
WITHOUT AUDIO GRILLS

Family: WALL-SMART

DWG NO. 002-4-614-NG-SPC

Model No.: 002-1-614-NG

PRODUCT SPEC.

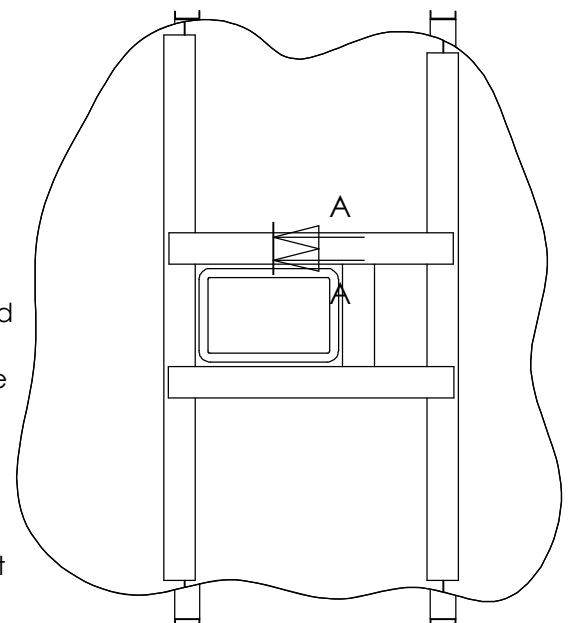
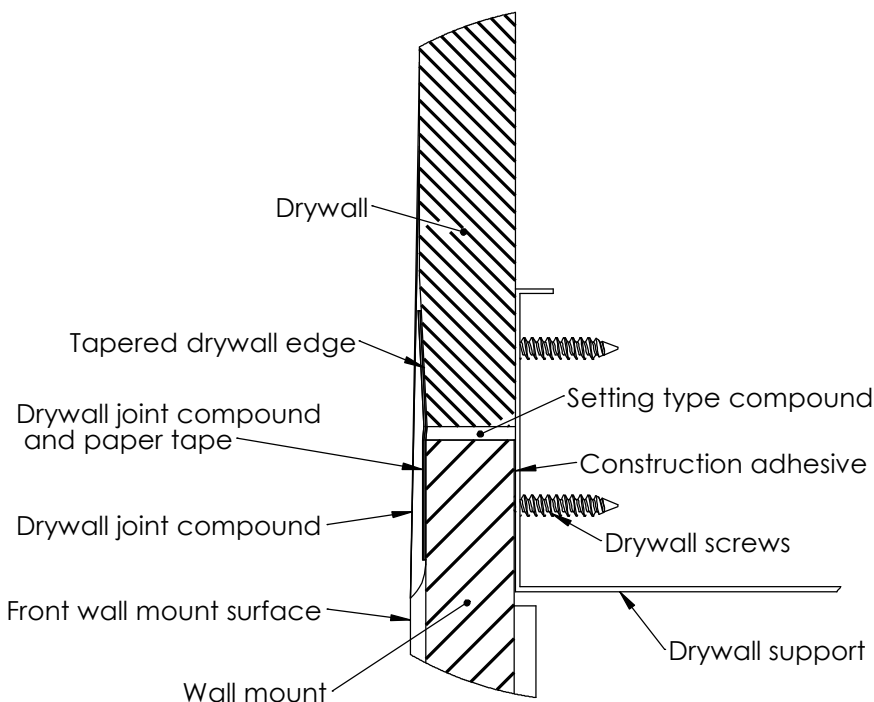
REVISION A

DATE 1/DEC./2019



**Wall mount installation in drywall:**

- Before installing the wall mount, make sure a POE cable is routed to the installation area.
- Preferably, connect POE cable to the wall mount POE to USB converter before installation. See page 4 of this document for details.
- The wall mount is supplied with a protective plug covering the front wall mount opening. Remove plug only after finished painting.
- Perform at least level 4 drywall finish per ASTM C 840.
- In case of level 5 finish (skim coat), mask adaptor opening during skim coat application and sand adaptor front surface until front adaptor edge is visible clean green.
- The wall mount was designed for ½” drywall. In case the wall-mount should be installed in 5/8” drywall, you may use “WS 1/8” Shim pack” P/N 10-01-067 (sold separately).
- Make sure the adaptor is installed on firm supports. A good practice would be to apply construction adhesive between adapter and supports.
- In some cases, it is convenient to use “Telescoping box mounting brackets” (BB2-16T/24T by Cooper Industries plc \ Cooper B-line) or “Telescoping Screw Gun Box Bracket” (TSGB16/24 by ERICO International Corporation) for supports.
- Apply setting-type compound to gaps between adapter and drywall.
- Apply fine premixed drywall joint compound and drywall paper tape (not a mesh tape).
- Avoid applying joint compound to the wall mount front surface. Sand off joint compound covering front wall mount surface.
- Let the setting-type compound and joint compound + paper tapes to dry over night.
- Apply 1st drywall joint compound layer and let dry over night.
- Apply 2nd drywall joint compound layer and let dry over night.
- In some cases as 3rd drywall joint compound layer is required for touch-up.
- Avoid heating installation point by blowers. Let joint compound dry in ambient room temperature.
- Avoid washing the wall during installation. Damp cloth may be used to clean the area.
- Sand adaptor and drywall compound using fine sand paper until front surface of the adaptor is visible clean green.
- Avoid spray painting. Do not paint internal surfaces.
- Before inserting the iPad into the wall mount, clean the wall mount internal surfaces of any joint compound or paint.
- Before inserting the iPad, adhere “Wall-Smart rubber pads” to the back of the iPad according to page 3 of this document.





Model: WS NC FOR IPAD7 AND AIR3  
WITHOUT AUDIO GRILLS

Family: WALL-SMART

DWG NO. 002-4-614-NG-SPC



Model No.: 002-1-614-NG

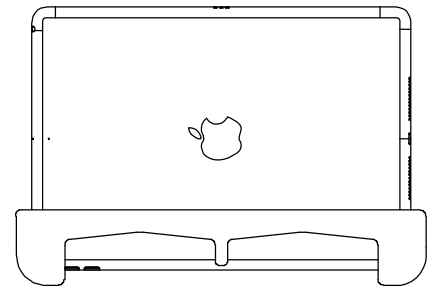
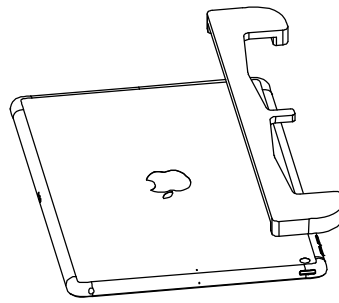
PRODUCT SPEC.

REVISION A

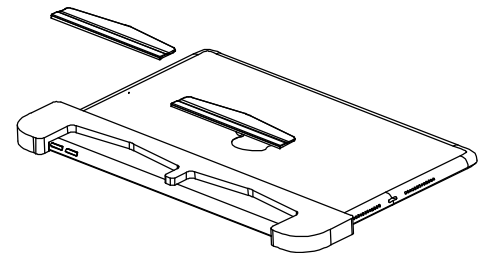
DATE 1/DEC./2019

### Wall-Smart rubber pads installation:

1. Clean iPads back surface.
2. Position template.



3. Remove protective tape of a rubber pad back adhesive.
4. Align rubber pad to templates while maintaining the position of the template .
5. Adhere the rubber pads to the iPad gradually from template to the iPad edge .



6. Press down from the center of the rubber pad and towards the pad edges to remove air bubbles .
7. Push down the edges of the rubber pad to close all gaps .
8. Repeat steps 2-7 for the two rubber pads on the other side of the iPad .
9. Remove the template and wait 6mins before mounting.

