

REFERENCE IN-WALL SUBWOOFERS

R10SUB | R12SUB QUICKSTART GUIDE



Box Contents

- (1) Quickstart Guide
- (1) Reference NC driver (R10SUB or R12SUB)
- (1) Grille mounting frame
- (1) Grille
- (12) 1" (25mm) Flat Head Phillips Screws for mounting the frame
- (12) 1 3/4" (45mm) Flat Head Phillips Screws for mounting the frame
- (12) Phillips Screws for mounting the driver

NOTE: R10SUB AND R12SUB REQUIRE USE OF SONANCE R10SUB ENC AND R12SUB ENC, RESPECTIVELY.

Installing the Driver

1. Remove the four screws that attach the cover plate to the enclosure (see Figure 1).

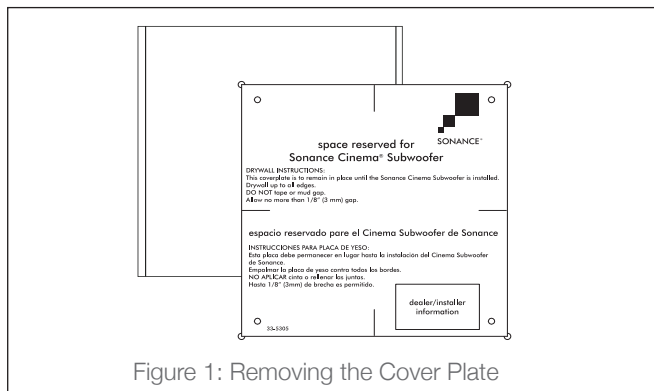


Figure 1: Removing the Cover Plate

2. Connect the internal wire to the woofer driver. Connect the RED wire to the positive terminal and the BLACK wire to the negative terminal. If using multiple subwoofers it is critical that the polarity of all the woofers is the same (see Figure 2).

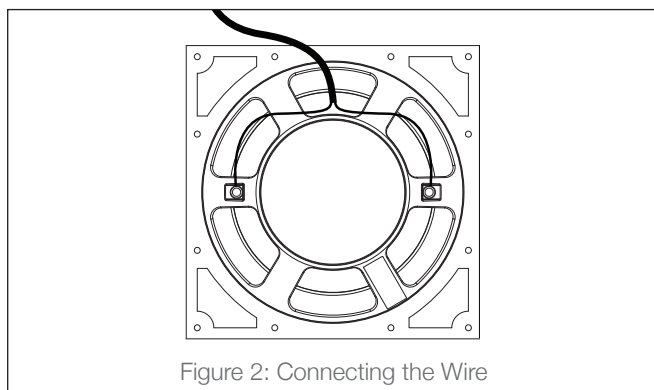


Figure 2: Connecting the Wire

3. Attach the woofer driver to the enclosure using the twelve Phillips head screws.

4. Tighten all twelve screws evenly to minimize any air leakage that could occur (see Figure 3).

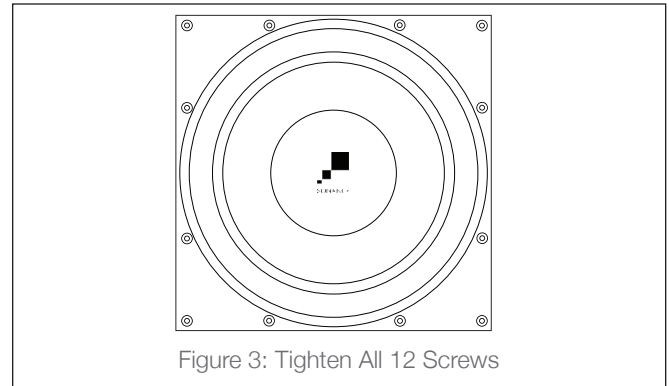


Figure 3: Tighten All 12 Screws

Installing the Grille and Frame

1. Attach the grille mounting frame to the enclosure using the twelve Phillips head screws (see Figure 4).
2. Tighten all the screws evenly so the grille mounting frame is flush with the wall at all points around the perimeter.

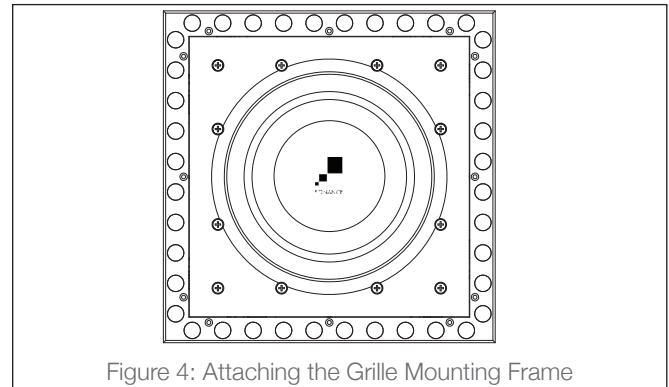


Figure 4: Attaching the Grille Mounting Frame

3. Install the grille on to the grille mounting frame. The powerful Neodymium magnets will attract the grille very quickly. Care should be taken to align the grille correctly before placing it close to the grille mounting frame (see Figure 5).

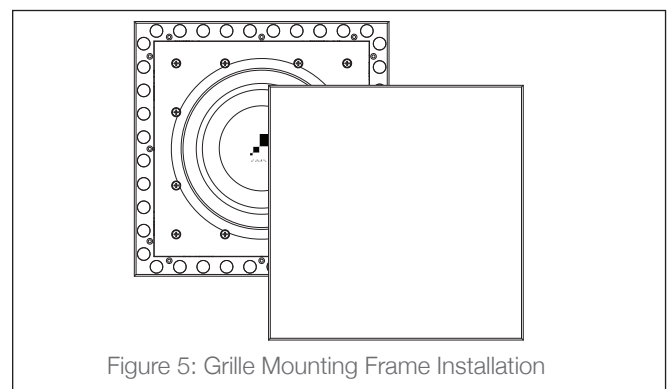


Figure 5: Grille Mounting Frame Installation