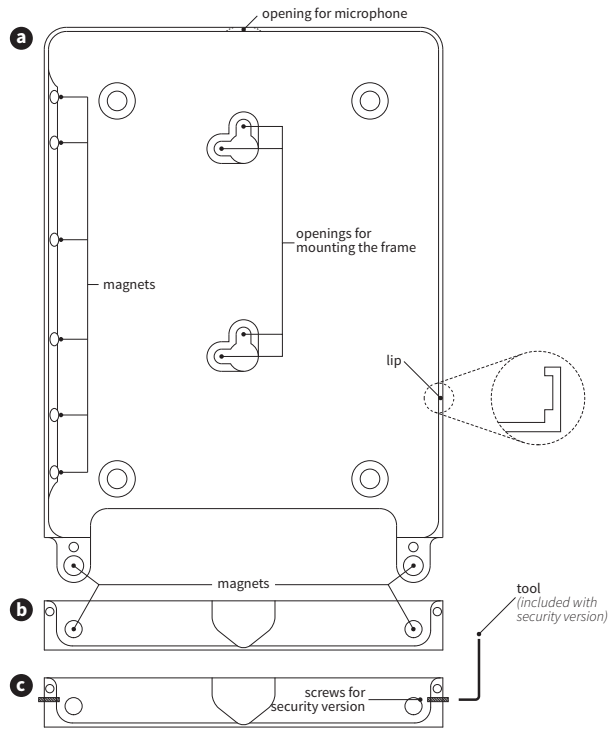
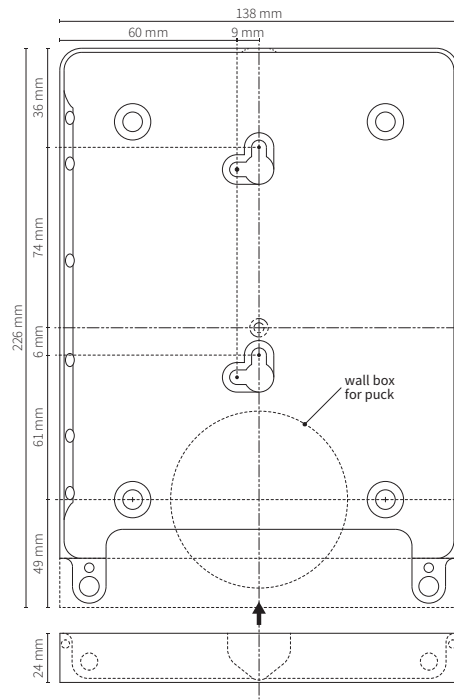


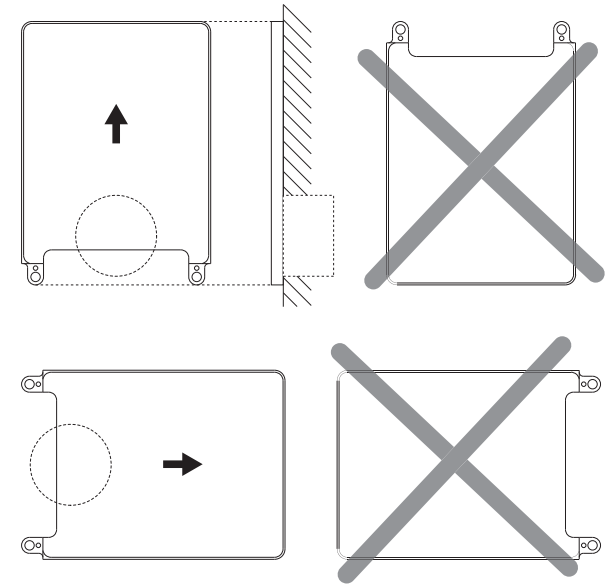
1



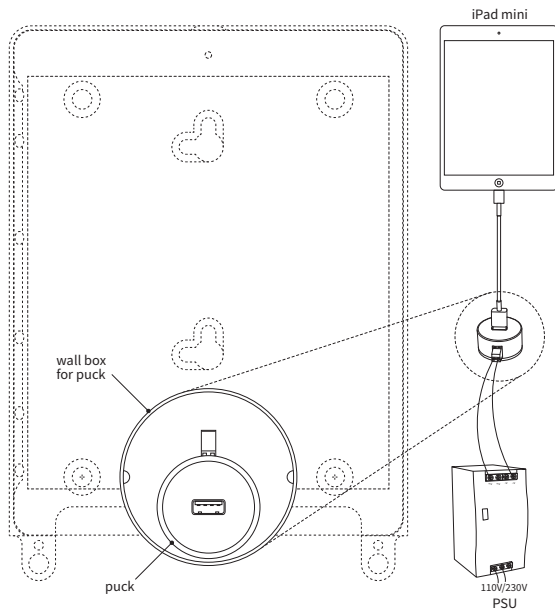
2



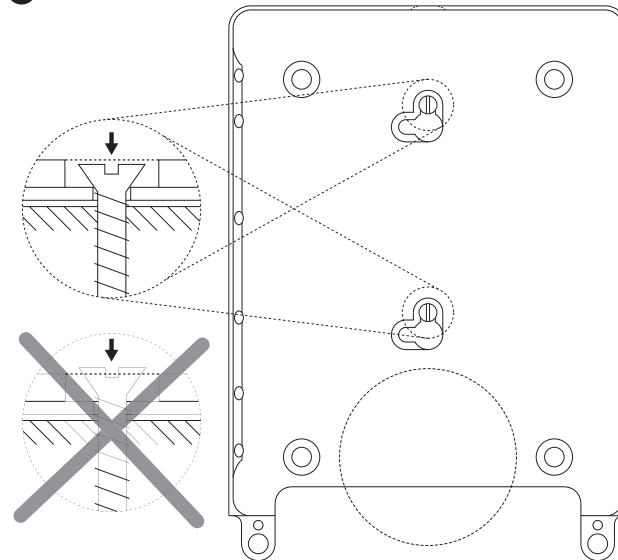
3



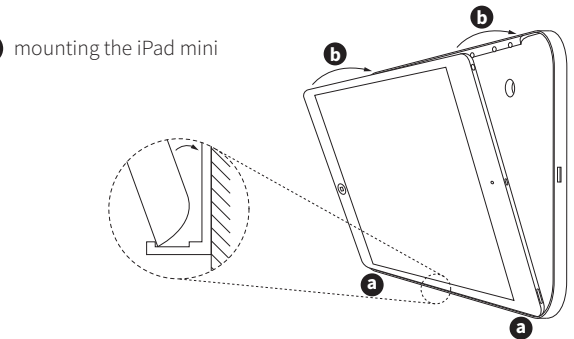
4



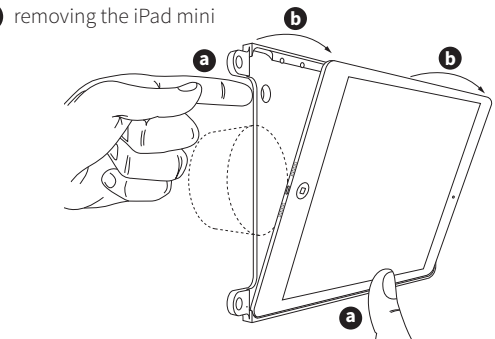
5



6



7



- 1** Identification of the parts
- a eve frame (product number: 620-xx)
 - b eve cover (product number: 621-xx, 622-xx)
 - c eve cover security version (product number: 623-xx, 624-xx)

- 2** Positioning of the wall box (not included)
- A wall box should be foreseen to install the iPad mini power supply. The puck (not included) is a USB power supply which fits into a 1-gang wall box and uses the standard lightning to USB Cable, supplied with the iPad mini.
- The wall box should be installed according to the dimensions on the drawing (2).

- 3** Direction of the frame
- The eve frame can be mounted horizontally or vertically.
- Please take care to mount the frame in the correct direction according to the drawing (3). **Installing the frame in the wrong direction can damage the iPad mini.**

- 4** Puck Power supply (not included - product number: 610-01)
- Install the puck into the wall box following the instructions of the puck manual. Connect the standard iPad mini to USB Cable, supplied with the iPad mini, to the puck.

- 5** Installing the eve frame
- Please use the correct openings of the eve frame and ensure the screws are positioned so that they cannot damage the iPad mini.

- 6** Mounting the iPad mini
1. Plug the power connector into the iPad mini.
 2. Place the iPad mini with its side in the small lip.
 3. Gently push the iPad mini in the frame so that it is being held by the magnets.
 4. Place the eve cover making sure that the cover is not squeezing the power cable.

- 7** Removing the iPad mini
1. Remove the eve cover.
 2. Place one finger behind the iPad mini and another one on the iPad mini as shown on the drawing (7).
 3. Gently pull the iPad mini out of the frame making sure it can not fall.
 4. Remove the power connector.

Dimensions

eve frame:	222 mm	x 138 mm	x 10 mm
eve cover:	24 mm	x 138 mm	x 10 mm
eve set:	226 mm	x 138 mm	x 10 mm



basalte is a registered trademark of Basalte bvba.
eve is a registered trademark of Basalte bvba.
eve and eve mini are registered designs of Basalte bvba.
iPad and iPad mini are registered trademarks of Apple Inc.

Basalte bvba
Hundelgemsesteenweg 1a
9820 Merelbeke
Belgium

tel +32 9 385 78 38
fax +32 9 329 66 95

info@basalte.be
www.basalte.be

