

REFERENCE IN-WALL ENCLOSURE

R10SUB ENC | R12SUB ENC QUICKSTART GUIDE



Box Contents R10SUB ENC

- (1) Quickstart Guide
- (1) R10SUB ENC with integral mounting rails (compatible with Sonance R10SUB)
- (1) Cover plate
- (8) Flat Head Phillips screws for mounting

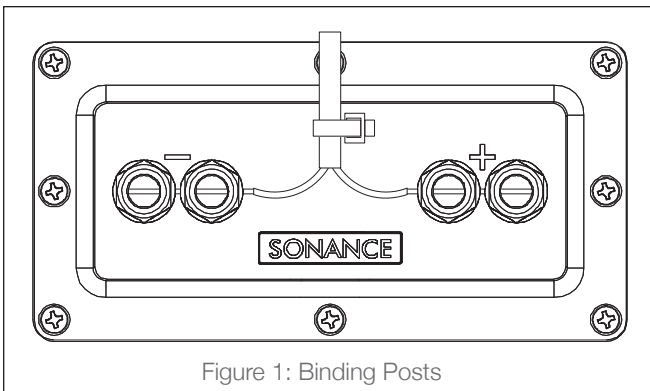
Box Contents R12SUB ENC

- (1) Quickstart Guide
- (1) R12SUB ENC with integral mounting rails (compatible with Sonance R12SUB)
- (1) Cover plate
- (12) Flat Head Phillips screws for mounting

Connecting the Wire

The R10SUB ENC and R12SUB ENC feature a unique terminal system. The binding posts are turned to allow the wire to be run through both binding posts. This is done to increase contact area and provide the most secure and long lasting connection possible (see Figure 1).

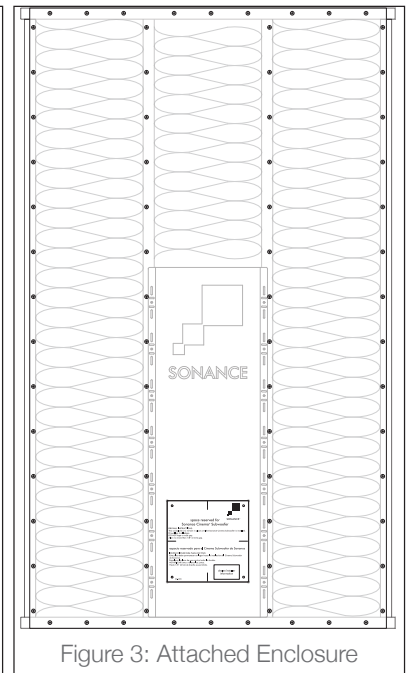
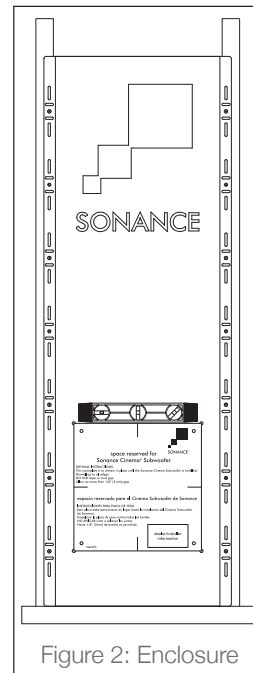
1. Loosen all four binding posts to allow the wire to be pushed through.
2. Strip off approximately 1 1/4" (32mm) of jacket from the wires.
3. Run the wire through the appropriate terminals.
4. Tighten the binding posts.
5. Tighten the provided zip tie around the wires (see Figure 1).



Installing the Enclosure

1. Determine the proper location for the subwoofer enclosure.

2. Determine the correct height to mount the enclosure. Allow at least 1" (25mm) around the perimeter of the cover plate for clearance of the grille frame and grille.
3. Verify the enclosure is level using a bubble level. The grille has a limited range of adjustment, ensuring the enclosure is level will greatly simplify the completion of the installation (see Figure 2).
4. Attach the box to the stud or joist bay using the supplied wood screws. Use 4 screws per side on the R10SUB ENC and 6 screws per side on the R12SUB ENC (see Figure 3).
5. Drywall should be installed up to the edges of the cover plate. Do not leave more than an 1/8" (3mm) gap around the perimeter of the cover plate.



Drywall and Screw Installation

To maximize performance and minimize noise and vibration it is strongly recommended that one complete piece of drywall is installed over the subwoofer location (see Figure 3).

Drywall screws should be installed at a spacing of 8"-10" (203mm-254mm). If drywall is installed on the wall surface behind the subwoofer enclosure, drywall screws should also be installed following these instructions.

IMPORTANT: DO NOT INSTALL DRYWALL SCREWS INTO THE ENCLOSURE. THE ENCLOSURE IS DESIGNED TO FLOAT INSIDE THE WALL.