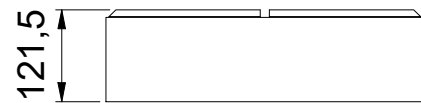
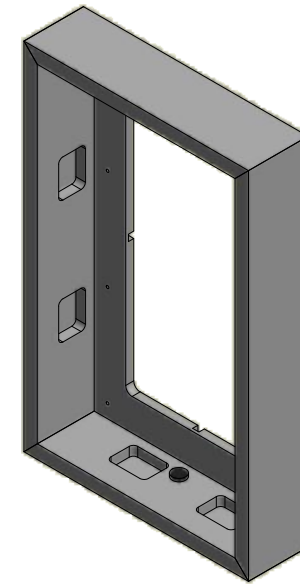
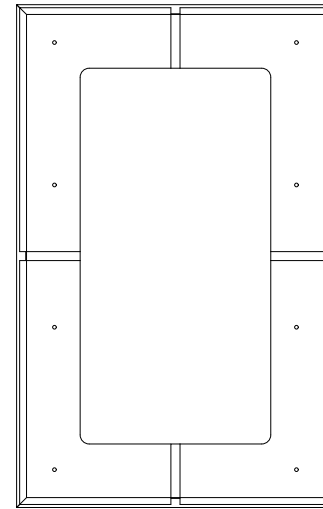
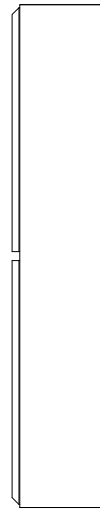
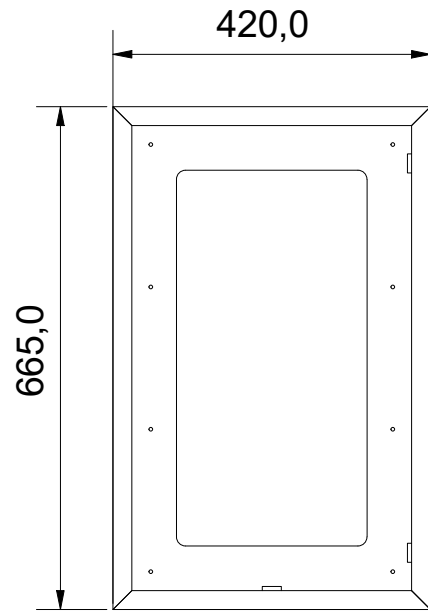


4

3

2

1




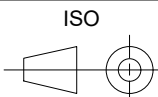
B

B

A

A

Drawing must be complemented by STEP file.

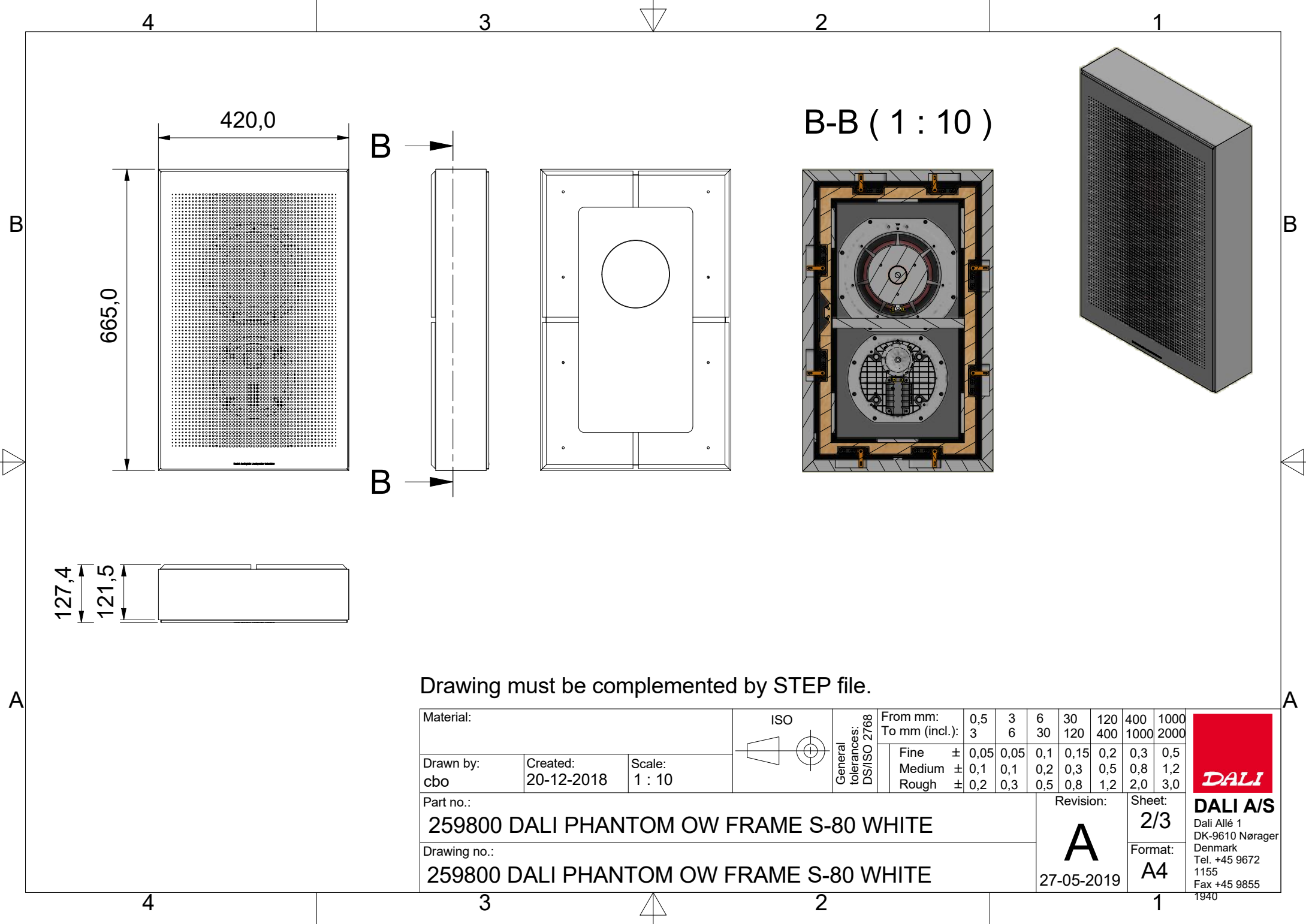
Material:			ISO		General tolerances: DS/ISO 2768										 <b>DALI A/S</b> Dali Allé 1 DK-9610 Nørager Denmark Tel. +45 9672 1155 Fax +45 9855 1940			
Drawn by: cbo			Created: 20-12-2018		Scale: 1 : 10				From mm: To mm (incl.):		0,5 3	3 6	6 30	30 120		120 400	400 1000	1000 2000
									Fine ±		0,05	0,05	0,1	0,15		0,2	0,3	0,5
									Medium ±		0,1	0,1	0,2	0,3		0,5	0,8	1,2
									Rough ±		0,2	0,3	0,5	0,8	1,2	2,0	3,0	
Part no.:									Revision:			Sheet:						
259800 DALI PHANTOM OW FRAME S-80 WHITE									A			1/3						
Drawing no.:									27-05-2019			Format:						
259800 DALI PHANTOM OW FRAME S-80 WHITE												A4						

4

3

2

1



Drawing must be complemented by STEP file.

Material:				General tolerances: DS/ISO 2768	From mm:	0,5	3	6	30	120	400	1000	 <b>DALI A/S</b> Dali Allé 1 DK-9610 Nørager Denmark Tel. +45 9672 1155 Fax +45 9855 1940	
Drawn by: cbo					Created: 20-12-2018	Scale: 1 : 10	To mm (incl.):	3	6	30	120	400		1000
Part no.:			259800 DALI PHANTOM OW FRAME S-80 WHITE									Revision:		Sheet:
Drawing no.:			259800 DALI PHANTOM OW FRAME S-80 WHITE									A		2/3
												27-05-2019	Format:	
													A4	


REV	DATE	ENGINEER	APPROVED	DESCRIPTION	ECO
A	27-05-2019	CBO	FJ	RELEASED FOR PRODUCTION	

B

B

A

A

Title: <b>Revision sheet</b>	Sheet: <b>3 / 3</b>	 <b>DALI A/S</b> <small>Dali Allé 1  DK-9610 Nørager, Denmark  Tel. +45 9672 1155  Fax +45 9855 1940</small>
Drawing no.: <b>259800 DALI PHANTOM OW FRAME S-80 WHITE</b>	Format: <b>A4</b>	

4

3

2

1