

Install Guide

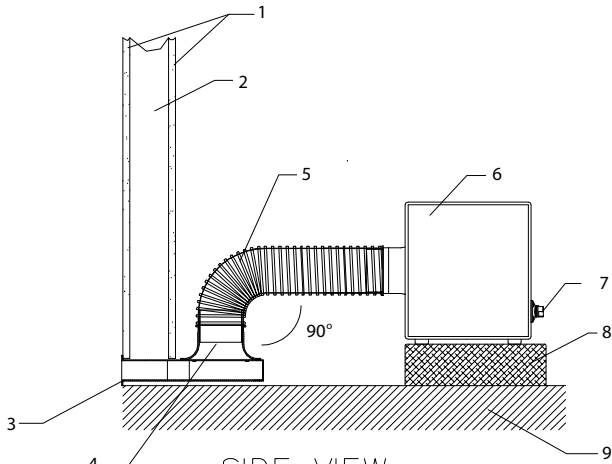
for 650PTM, 800PTM, 1000PT/M,
1200PT-1/M, 1200PT-2/M & 1500PTM
v3/13

Construction

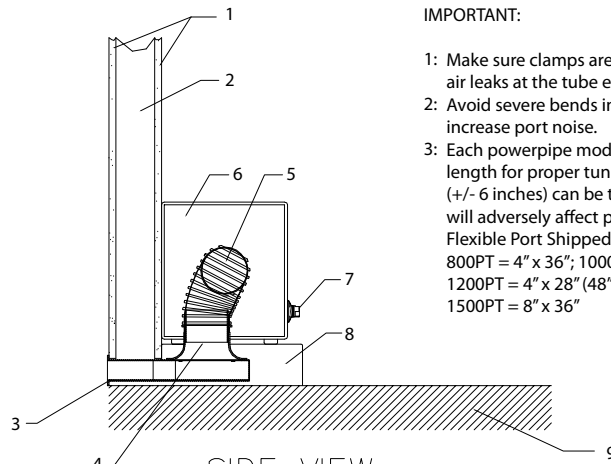
- 1: Dry Wall
- 2: Vertical Stud
- 3: Adaptor
- 4: Flang Adaptor
- 5: Flexible Tuned Port
- 6: Low Frequency Device
- 7: Input Terminal
- 8: Pedestal
- 9: Ground/Floor

Material Specs

- Die-Cast or T6 Aluminum
- High Impact Polystyrene
- Composite Polyurethane/Vinyl
- Medium Density Fiber



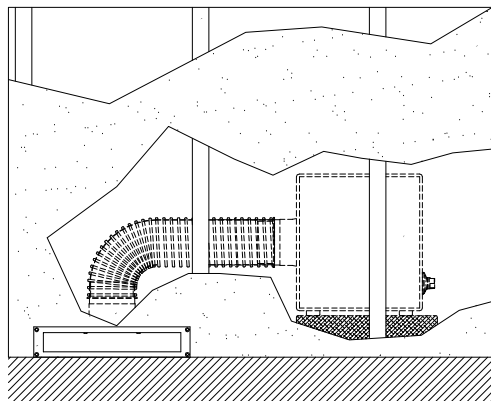
SIDE VIEW
AWAY FROM
THE WALL



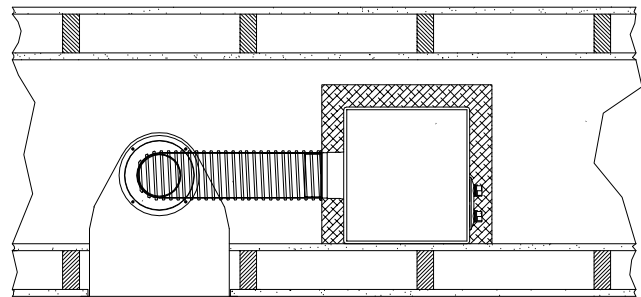
SIDE VIEW
UP AGAINST
THE WALL

IMPORTANT:

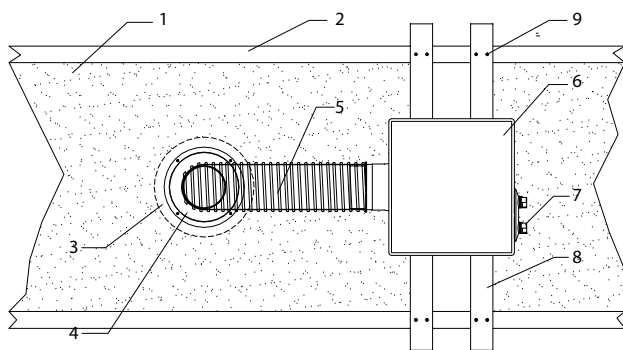
- 1: Make sure clamps are tight and there are no air leaks at the tube ends
- 2: Avoid severe bends in the tube as this will increase port noise.
- 3: Each powerpipe model has an optimized length for proper tuning. Minor adjustments (+/- 6 inches) can be tolerated. Larger changes will adversely affect performance.
Flexible Port Shipped: 650PT = 4" x 48";
800PT = 4" x 36"; 1000PT = 4" x 28";
1200PT = 4" x 28" (48" for dual-port);
1500PT = 8" x 36"



FRONT VIEW
LOOKING INTO
THE WALL



TOP VIEW
LOOKING DOWN
TO THE WALL



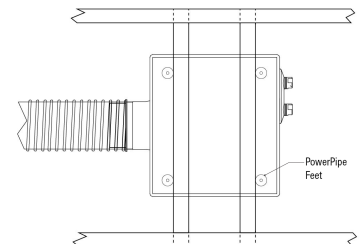
CEILING MOUNT WITH STRAPS
LOOKING DOWN FROM CEILING

In-ceiling Construction

- 1: Dry Wall
- 2: ceiling Joists
- 3: Trim Ring/Grille
- 4: Flang Adaptor
- 5: Flexible Tuned Port
- 6: Low Frequency Device
- 7: Input Terminal
- 8: Mounting Straps
- 9: Mounting Hardware

Material Specs

- High Impact Polystyrene
- High Impact Polystyrene
- Composite Polyurethane/Vinyl
- Medium Density Fiber



(Recommended Strap Installation Location)

