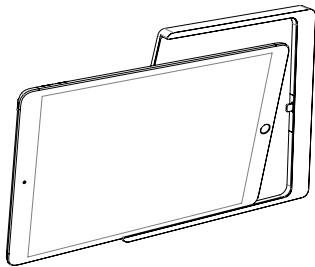


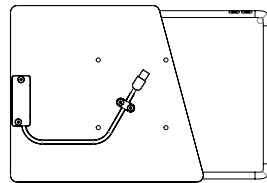


Companion Wall Home is a fine one-side-open asymmetrical tablet wall mount. It is made from high-grade precisely machined aluminium, with powder coated surface finishing.

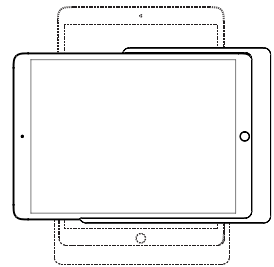
Product characteristics



easy insertion and removal of a tablet for portable use

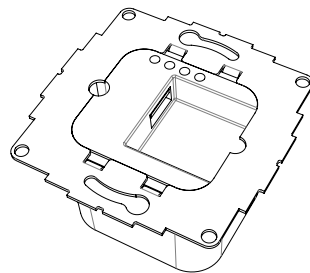


integrated lightning cable



horizontal or portrait view

Accessories



USB socket or PoE adapter

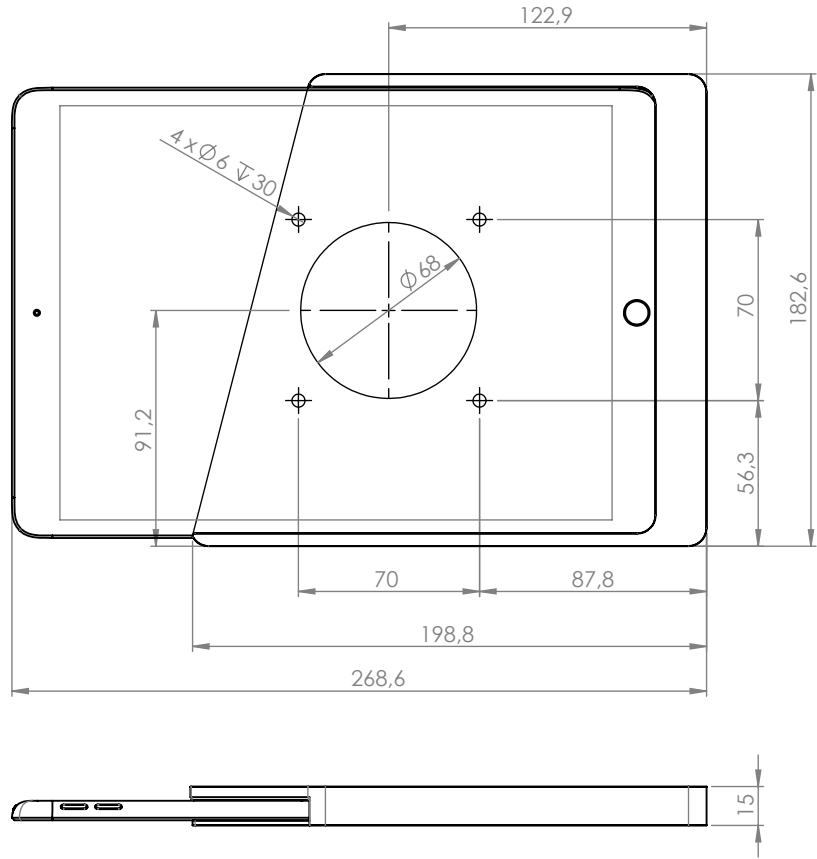


black powder coated - RAL 9005

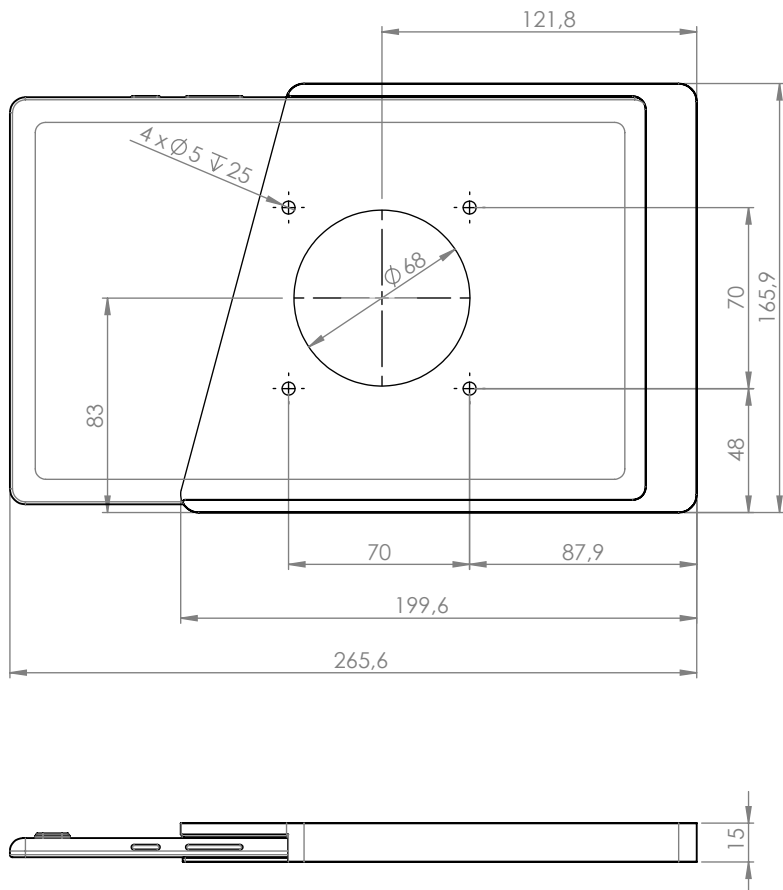


white powder coated - RAL 9016

Companion Wall Home for iPad 10.2"



Companion Wall Home for Samsung Tab A7 10.4"



DSP number	EAN	Product	Compatible devices	Weight <i>in kg</i>
DSP-1-12-1002-00	4260600743196	Companion Wall Home for iPad 10.2" USB-A White Powder Coated	iPad 10.2" (7th gen.) iPad 10.2" (8th gen.)	0.51
DSP-1-12-1002-02	4260600743202	Companion Wall Home for iPad 10.2" USB-A Black Powder Coated	iPad 10.2" (7th gen.) iPad 10.2" (8th gen.)	0.51
DSP-1-12-3104-00	4260600743219	Companion Wall Home for Samsung Tab A7 10.4" USB-A White Powder Coated	Samsung Galaxy Tab A7 T500 10.4" (model 2020)	0.47
DSP-1-12-3104-02	4260600743226	Companion Wall Home for Samsung Tab A7 10.4" USB-A Black Powder Coated	Samsung Galaxy Tab A7 T500 10.4" (model 2020)	0.47
DSP-1-12-3104-00-C	4260600743851	Companion Wall Home for Samsung Tab A7 10.4" USB-C White Powder Coated	Samsung Galaxy Tab A7 T500 10.4" (model 2020)	0.47
DSP-1-12-3104-02-C	4260600743868	Companion Wall Home for Samsung Tab A7 10.4" USB-C Black Powder Coated	Samsung Galaxy Tab A7 T500 10.4" (model 2020)	0.47
DSP-99-USB	4260600743059	USB electric concealed socket 12 W 2.4 A	All Displine tablet wall mounts	0.17

Displine GmbH
Mainzer Straße 97
65189 Wiesbaden

Contact

Piotr Stanczyk
tel.: +49 151 27 23 71 52
e-mail: info@displine.com